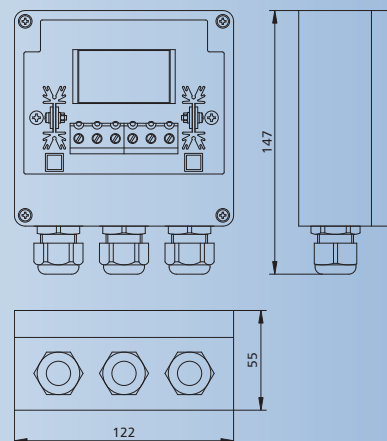




### Solar Charge Controller



# Steca PR 2020-IP

## IP 65 Version

The PR 2020-IP design is based on Steca's PR charge controller series with a customer designed LCD which shows the accurate state of charge (SOC) in percent and as battery gauge symbol. The heart of the controller is the integrated circuit called ATONIC® II, which contains the improved regulation software based on a self learning algorithm. The PR 2020-IP controller operates in harsh environments like salt, moisture and dust.

### Certificates

- Conform to European Standards (CE)
- Made in Germany

### Features

- PWM shunt battery charging
- State of charge (SOC) battery regulation
- Built in Ah counter
- Boost charging
- Equalising charge
- Float charging
- Automatic load reconnection
- Automatic selection of voltage (12 V / 24 V)
- Temperature compensation
- Positive grounding
- (or) Negative grounding on one terminal
- Field adjustable parameters by two buttons
- Lighting control options during nighttime
- Optional potential free alarm contact

### Electronic Protections

- High voltage disconnect (HVD)
- Low voltage disconnect (LVD)
- Dept of discharge disconnection (DOD)
- Reverse polarity of solar modules
- Reverse polarity of load & battery
- Short circuit of solar modules
- Short circuit of load
- Over temperature
- Over voltage
- Lightning protection by varistor
- Low electronic interference (EMC)
- Open circuit battery
- Reverse current at night

### Displays

- Steca designed LCD in symbols and digits showing SOC, Vbat, all currents, Ah, alarms, day / night and more



Solar Charge Controller	PR 2020-IP
System voltage	12 V (24 V)
Max. module input short circuit current	20 A
Max. load output current	20 A
Max. self consumption	12 mA
End of charge voltage (float)	liquid 13.9 V (27.8 V) gel 14.1 V (28.2 V)
Boost charge voltage; 2 h	14.4 V (28.8 V)
Equalisation charge (deactivated for gel accu); 2 h	14.7 V (29.4 V)
Reconnection setpoint (SOC / LVR)	> 50 % / 12.6 V (25.2 V)
Deep discharge protection (SOC / LVD)	< 30 % / 11.1 V (22.2 V)
Ambient temperature allowed	-10 °C...+50 °C
Terminal size (fine / single wire)	16 mm <sup>2</sup> / 25 mm <sup>2</sup>
Enclosure protection class	IP 65
Weight	350 g
Dimensions l x w x h	122 x 55 x 147 mm

Technical data at 25 °C / 77 °F